

AZO Cyclone Screener

type E 800 for control and safety screening

Control screening

Safety screening

Fractioning

Separation of foreign particles

Breaking of lumps

Aeration of products

Preferred applications

For 50 years the AZO cyclone screener has been used with great success for screening bulk materials in the food, plastics, pharmaceutical and chemical industry.

Typical applications:

- **Control screening before and during processing**
Guarantees reliability because no contamination in the form of sack fibres, lumps, paper shreds etc. can enter the production process.

Special advantages

- High output
- Sturdy construction
- Dependable mechanics
- Dust-free operation
- Decades of experience
- Reliable operation
- Simple maintenance
- Easy to operate
- Easy to integrate into existing plants
- Automatic discharge of coarse product
- Enclosed system
- No vibration



Cyclone screener in a silo skirt

THE INNOVATION



- **Control screening before filling and packaging**
Ensures that only flawless products leave the production process.
- **Breaking of lumps**
This is recommended whenever bagged product or hygroscopic materials are being processed. The lumps are broken gently without any loss of product.
- **Separation of agglomerates**
Agglomerates frequently occur after drying processes.
- **Screening and recycling of fines**
e.g. after granulating in the pharmaceutical industry.
- **Recovery of epoxy resin powder**
in powder coating units by separating foreign particles.
- **Control screening**
After grinding in the production of powder varnish.
- **Fractioning**
Separation into various fractions of powdery bulk materials according to grain size.

How it works

The product is metered into the AZO cyclone screener via the inlet pipe. This can be done by means of a rotary feeder or a metering screw. The feeding screw transfers the product into the screening chamber where it is gently swirled through the screen fabric by the fluidizing bars. The fines drop through while coarse

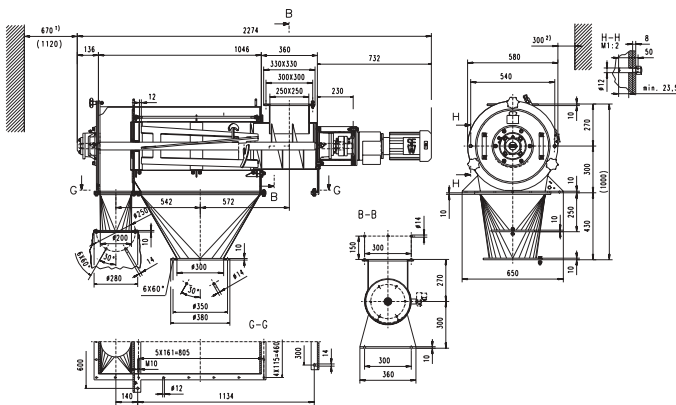
particles such as contamination and agglomerates are carried on and discharged continuously. The baffle at the end of the screen prevents fines from entering the coarse product. The screen fabric, which is mounted on rings, can vibrate freely and therefore cleans itself automatically. It can also block blows softly and thus is largely insensitive to foreign mat-

ter. Sack fibres are eliminated too without forming a beard in the screen which might adversely affect the screening. Due to the carbon fabric of the screen, electrostatic charging, which occurs when screening e.g. PVC powder, is excluded. The screen can be exchanged easily and in a short time without using any tools. In addition, the rotor is very

simple to remove. When the machine is not working, a large inspection door at the screener body makes it possible to check the complete surface of the screen basket easily by turning it 350°.

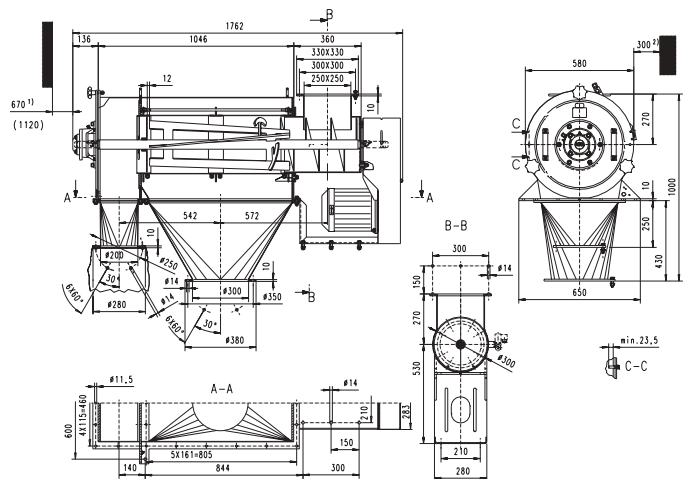
Technical data

Screener E 800 type B1



- 1) Space required for removing the screen element (rotor removal)
- 2) Space required for opening the inspection door

Screener E 800 type C1



- 1) Space required for removing the screen element (rotor removal)
- 2) Space required for opening the inspection door

Output data

Mesh size	Screening output
0.2 mm	= ----
0.4 mm	= ----
0.6 mm	= 10.0 t/h
0.8 mm	= 13.0 t/h
1.0 mm	= 16.0 t/h
1.4 mm	= 18.0 t/h
2.0 mm	= 20.0 t/h
3.0 mm	= 22.5 t/h
4.0 mm	= 23.0 t/h

The above output data are approximate values. Exact data may be provided upon request or can be determined by our technology workshop. The data are based on wheat flour with a bulk weight of 0.5 kg/l.