

Receivers type S... for powdery bulk materials

**Stainless steel
construction**

Sturdy design

Easy to clean

**Simple filter
inspection**

Preferred applications

For reliable feeding of flow-resistant bulk materials to processing machines in the food, plastics and chemical industry. The materials can be picked up from e.g. sacks, drums, containers or silos. The type S... receivers are used as individual receivers, with a separate blower each, in discontinuous vacuum, low-velocity vacuum and dense-phase vacuum conveying systems. They are mounted on

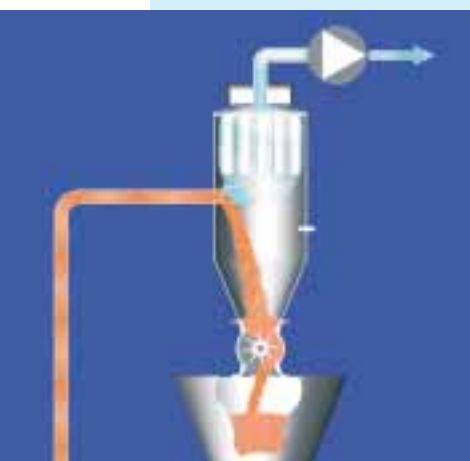
the batch hoppers of the processing machines where they serve for separating the bulk materials.

Special advantages

- Stainless steel construction
- Sturdy and perfected design
- Generously dimensioned filters ensure dust-free continuous operation

- Suitable for continuous operation due to compressed air purging of the filter
- High functional reliability through electronic control and monitoring
- Can be completely dismantled for cleaning without tools
- Simple filter inspection via a swivelling device at the cover

THE INNOVATION



How it works

When switching the blower on, a vacuum is generated causing the product to be transferred via the conveying line from the pickup point to the receiver. Simultaneously the rotary feeder discharges the product into the surge bin of the processing machine. Product is conveyed until the request indicator reacts. When the product level in the surge bin drops, a new conveying phase begins. During the conveying phase the filter is purged by automatic compressed air pulses,

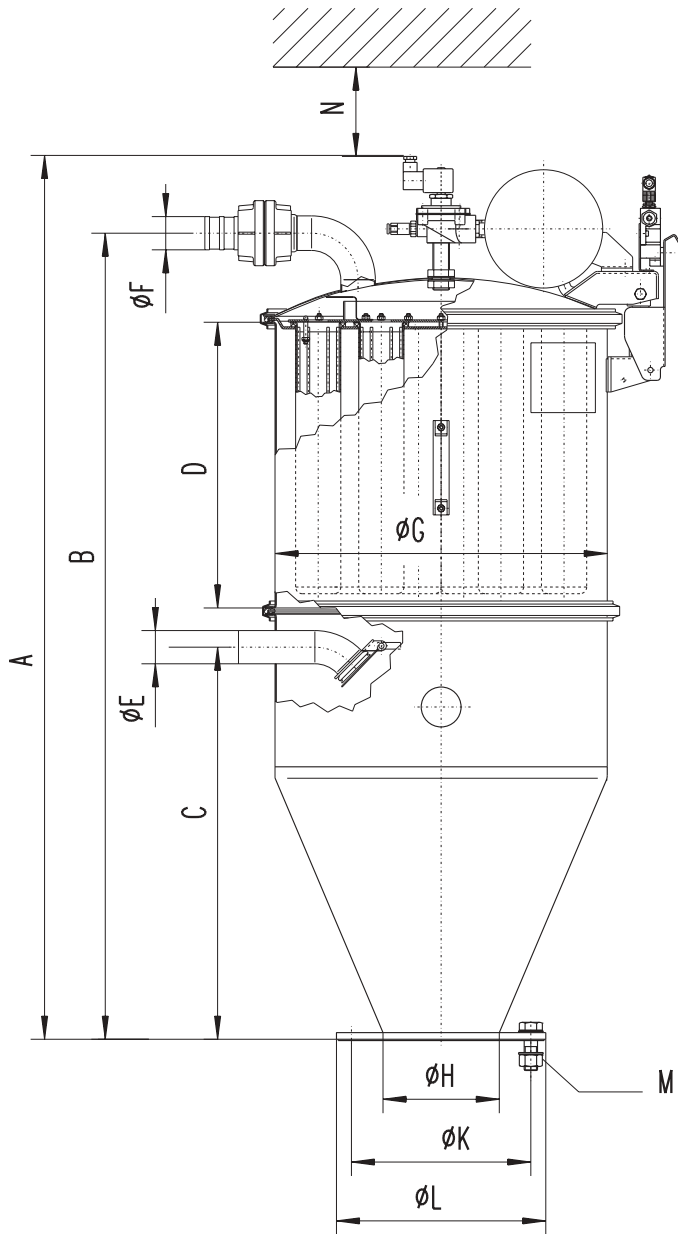
which permits continuous operation. The sequence of the operating cycles is controlled by an electronic control system. The actual operating state is displayed at the electronic control.

Design

Hose filter with compressed air purging. Outlet flange to fit the rotary feeder, including conveying and clean air connection with electronic control or PLC control connection. Mounted on customer's machine hopper by means of screws. All parts in contact with product of stainless steel, roll-bright and polished surfaces, ground welding seams

Technical data

Receiver type S 500-...



Receiver S 500-50

Filter: 1.5 m²
 Filter length: 415 mm
 Capacity: 39 litres
 Used for: Powders
 Outlet: For rotary feeder 175
 Net weight: 58 kg without rotary feeder
 Vac. conveying: Up to approx. 0.8 bar vacuum

Receiver S 500-65

Filter: 2.5 m²
 Filter length: 715 mm
 Capacity: 39 litres
 Used for: Powders
 Outlet: For rotary feeder 175
 Net weight: 69 kg without rotary feeder
 Vac. conveying: Up to approx. 0.8 bar vacuum

Annotation: The total height depends on the size of the rotary feeder.

Space requirements

N = Filter removal

Type	A	B	C	D	Ø E	Ø F	Ø G	Ø H	Ø K	Ø L	M	N
S 500-50	1330	1213	590	430	50	50	500	180	270	315	8xM20	400
S 500-65	1625	1495	580	724	65	65	500	180	270	315	8xM20	600