

# The **new** molding sand mixer Type R28/R33



---

All innovations  
at a glance:

- Shorter batch times
  - Higher torques
  - New gate mechanism
  - Lower wear costs
  - Better accessibility
  - Easier to maintain
  - Improved protection of components
  - Variable inclination
- 

The Pioneer in Material Processing®



# Advantages of mixer types R28/33

## The globally acclaimed EIRICH mixing principle guarantees

- Superior sand homogeneity
- Shortest processing time
- Optimal coating of sand grains with bentonite
- Uniform distribution of the water added
- Rapid discharge

## Key components

- Inclined rotating mixing pan
- Two rotating mixing tools
- Adjustable material deflector
- Feeding from above through large feed openings
- Central discharge gate
- Integrated moisture measuring probe

## Easy maintenance and servicing through

- Easy accessibility for cleaning and inspection
- Automatic central lubrication
- Protection of all drives and components by easy-to-open safety devices

## Drives / Motors

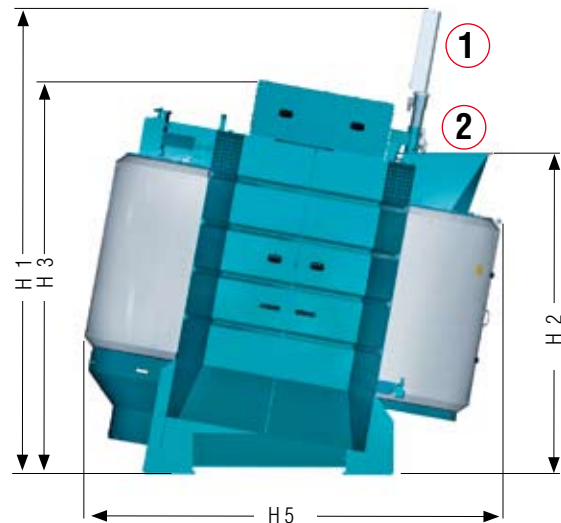
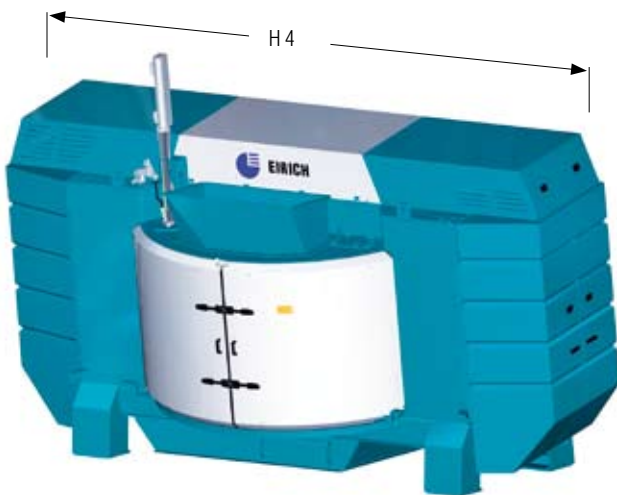
- Mixing pan driven by geared motor via gear rim
- Mixing tool drive optionally with
  - standard motor and V-belt
  - high-torque motor
- Hydraulic power unit for pan discharge

## Control

All mixer types can be supplied with control systems from own development and production. Please contact us.

Type	Effective capacity [liters]	Throughput rate [t/h]	Pan drive [KW]	Rotor drive [KW]	Weight [t]
R28-41	4,000	88-94	2 x 15	2 x 132	18
R28-51	5,000	110-117	2 x 18,5	2 x 160	19
R33-61	6,000	133-140	2 x 18,5	2 x 160	20
R33-71	7,000	155-164	2 x 22	2 x 200	21
RV33-71	7,500	166-176	2 x 22	2 x 200	22

- 1 Moisture measuring equipment
- 2 Inlet hopper/ molding sand



Type	H1	H2	H3	H4	H5
R28	3780	2620	3200	5520	3390
R33	3780	2620	3200	6070	3870

