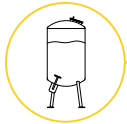


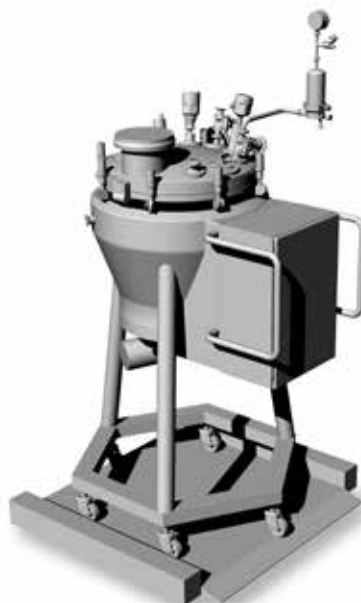


# PREPARATION VESSELS



LIQUIDS

**WIDE RANGE OF MODELS  
IN FULL COMPLIANCE WITH  
CGMPs, DESIGNED AND  
MANUFACTURED TO SATISFY  
THE HIGHEST QUALITY  
STANDARDS**



- ⌚ Standard capacity up to 10,000 liters, larger volume for special projects
- ⌚ Sanitary flush fittings and valves
- ⌚ Standing on legs or portable execution fully integrated in docking stations
- ⌚ Welded, flanged or hinged-type cover
- ⌚ Atmospheric, vacuum or pressure operation with PED or ASME stamp
- ⌚ Mechanical and/or electro polishing of the internal surface, according to the surface finish requirement (Ra value)
- ⌚ Customized models for integration to isolators



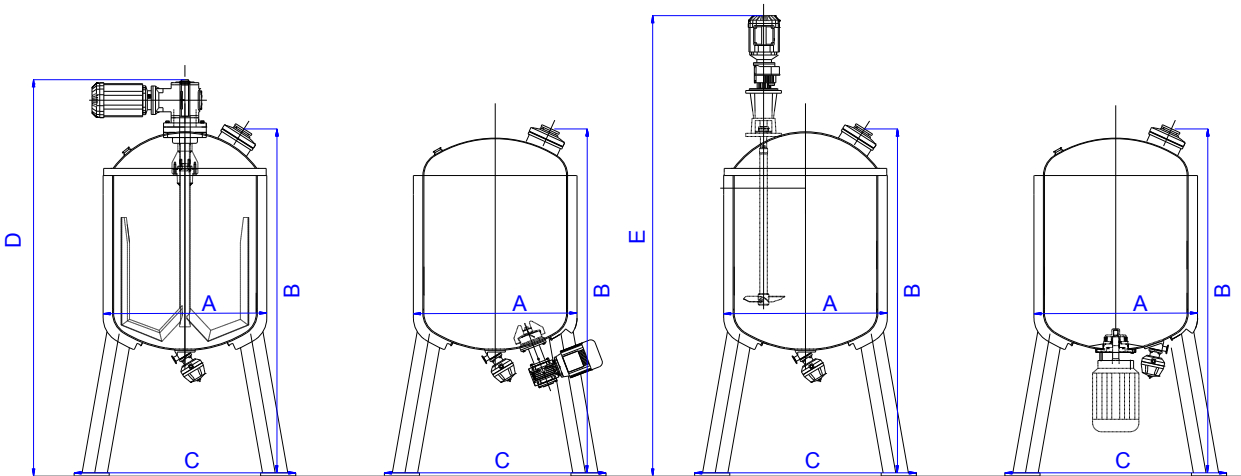
Mobile preparation vessel on weighing scale with docking station.



Mobile preparation vessel with skid integrated Control Board.



Twin set of preparation vessels with Transfer Panel.



Model X = S or F*	PCBX 25	PCBX 50	PCBX 100	PCBX 200	PCBX 300	PCBX 500	PCBX 750	PCBX 1000	PCBX 1500	PCBX 2000	PCBX 3000	PCBX 5000	PCBX 10000	
Useful volume (L)	25	50	100	200	300	500	750	1000	1500	2000	3000	5000	10000	
External dimensions (mm)	A	460	570	700	830	850	1000	1100	1250	1370	1515	1760	1970	2400
	B	960	1200	1400	1750	1800	2050	2250	2500	2650	2900	3150	3700	5000
	C	530	600	700	860	980	1100	1200	1300	1500	1600	1850	2410	3100
	D	1100	1400	1600	1950	2040	1310	2550	2800	3000	3320	3650	4200	5500
	E	1360	1600	1850	2150	2250	2650	2850	3000	3250	3450	3750	4350	5650

\*S: WELDED COVER / F: FLANGED COVER